

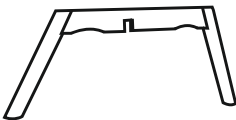


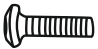



FODIL

Ax1	
Bx1	
Cx1	
Dx4	
Ex4	
Fx1	
Gx5	
Hx1	